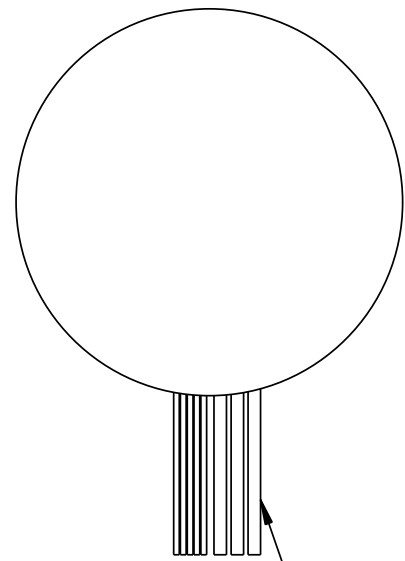
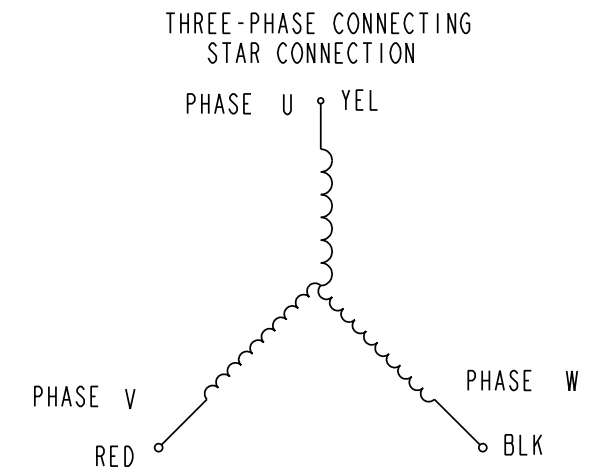
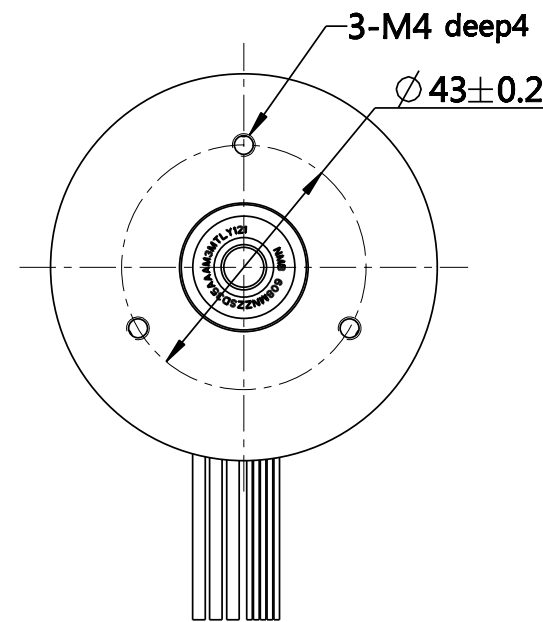
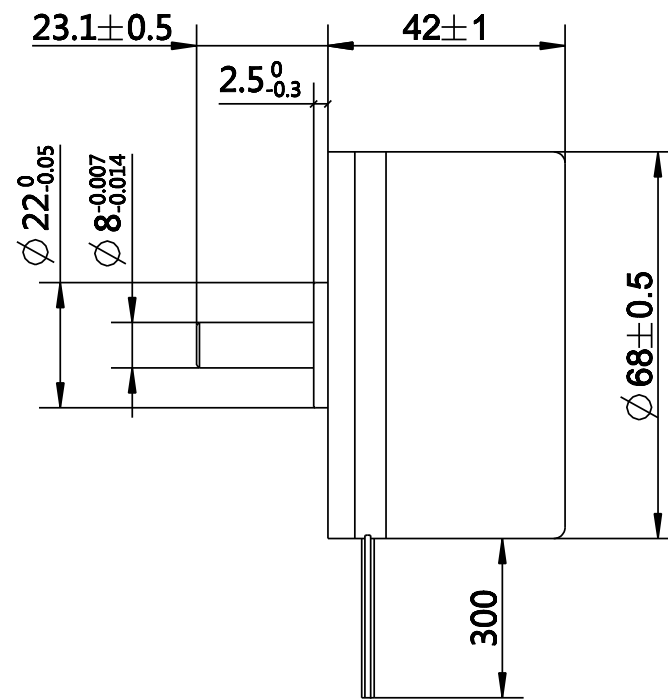


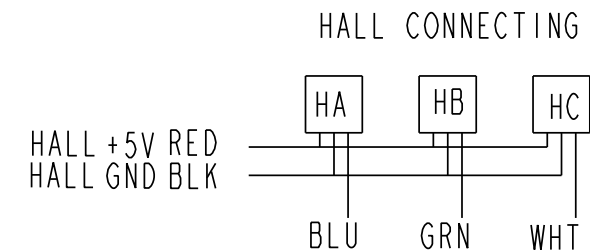
REV	ECN	NO	DESCRIPTION	DRN	APP'D	DATE



示意引出线



电机转向: CW



NUMBER OF PHASE	绕组相数	3	Wires for Phases ULI332 AWG18			
NUMBER OF POLES	极数	14	PHASE U	PHASE V	PHASE W	
LINE TO LINE RESISTANCE	线电阻	0.25±10% ohms@20°C	YEL	RED	BLK	
LINE TO LINE INDUCTANCE	线电感	0.3±20% mH@1kHz	Wires for Hall ULI332 AWG26			
NOMINAL VOLTAGE	额定电压	24 VDC	HALL V _c	Hu	Hv	Hw HALL Gnd
NO LOAD SPEED	空载转速	4400±10% RPM	RED	BLU	GRN	WHT BLK
NO LOAD CURRENT	空载电流	0.65 A REF	PERMISSIBLE RADIAL+AXIAL FORCE 			
RATED TORQUE	额定转矩	290 mN.m				
RATED SPEED	额定转速	3700±10% RPM				
RATED CURRENT	额定电流	5.6 A				
PEAK TORQUE	峰值转矩	870 mN.m				
PEAK CURRENT	峰值电流	17 A				
BACK EMF CONSTANT	反电势常数	4.0±10% Vrms/kRPM				
TORQUE CONSTANT	转矩常数	54 mN.m/A				
INSULATION CLASS	绝缘等级	B 130°C				
DIELECTRIC STRENG	介电强度	600VAC 1SEC				
INSULATION RESIST	绝缘电阻	100MΩ @500VDC	DISTANCE	距离	a=10 mm	
ROTOR INERTIA	转子转动惯量	1000g.cm ²	RADIAL-FORCE	径向压力	Fr=28 N Max	
WEIGHT	重量	0.5Kg REF	SHAFT RADIAL PLAY	径向间隙	0.02mm Max. @4N	
OPERATION AMBIENT	使用环境	Ambient temperature:-25...+50°C, humidity Max.85%(No condensation)				
STORAGE AMBIENT	存储环境	Ambient temperature:-25...+85°C, humidity Max.85%(No condensation)				

A	DESIGN	DATE	P/N.
			3.1.02.060.0740
REV	ECN NO.	DESCRIPTION	TITLE
			Specifications
UNLESS OTHERWISE SPECIFIED TOLERANCES:		MATERIAL	CONTR.
DECIMALS:	ANGULAR:	CHECK	USED ON
.X ±0.5	±0° 30'		FL60BLW42-24V-37110A-1
.XX ±0.25		APPD	DWG NO.
.XXX ±0.1			REV A
UNIT: mm	FIRST ANGLE PROJECTION	SCALE 1:1	FULLING MOTOR
DO NOT SCALE DRAWING		SHEET 1 OF 1	